



**VCA Headquarters**  
| The Eastgate Office Centre  
Eastgate Road  
Bristol, BS5 6XX  
United Kingdom

Switchboard: +44 (0) 117 951 5151  
Direct line: +44 (0) 117 952  
Main Fax: +44 (0) 117 952 4103  
Email: enquiries@vca.gov.uk  
Web: www.vca.gov.uk

THE UNITED KINGDOM VEHICLE APPROVAL AUTHORITY

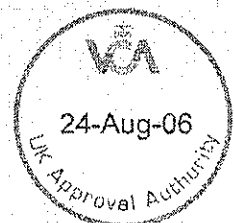
Rev 1/03

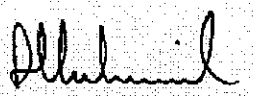


COMMUNICATION CONCERNING THE APPROVAL GRANTED OF A TYPE  
OF SPECIAL WARNING LIGHT FOR MOTOR VEHICLES, PURSUANT TO  
REGULATION NO 65

Approval No: 65R-000131

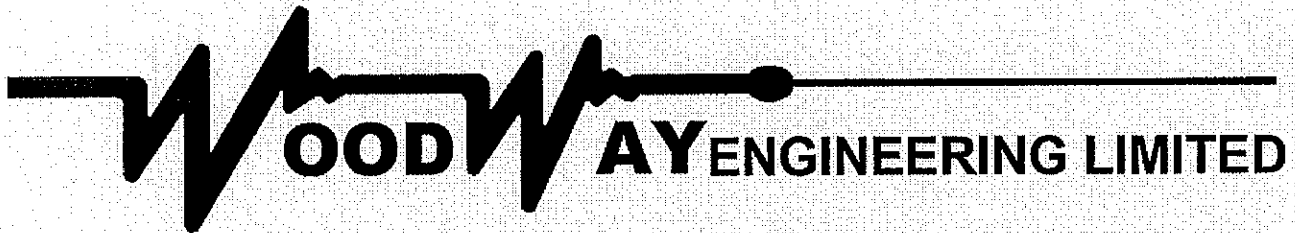
1. Special warning lamp /complete bar/ blue
2. Special warning lamp has one level of intensity.
3. For special warning lamps having two levels of intensity, indicate the system used to obtain increased intensity at day-time: Not applicable
4. Used light source, discharge lamp or category of filament lamp: 1½ loop gaseous discharge lamp (C002\$0BB-ECE)
5. Rated voltage of special warning lamp: 12 volt
6. Trade name or mark: Woodway Engineering Limited
7. Manufacturer's name and address:  
  
Woodway Engineering Limited  
Lower Road  
Barnacle  
Coventry CV7 9LD  
United Kingdom
8. If applicable, name and address of manufacturer's representative: Not applicable



- 9. Submitted for approval on: 17 July 2006
- 10. Technical service responsible for approval tests: Intertek, ETL Semko, NA
- 11. Date of report issued by that service: 17 July 2006
- 12. Number of report issued by that service: 3093271CRT-004
- 13. Approval GRANTED
- 14. Reason(s) of extension (if applicable): Not applicable
- 15. Place: BRISTOL
- 16. Date: 24 AUGUST 2006
- 17. Signature:  A KUBINSKI
- 18. The list of documents filed with the administration service which has granted approval and available on request is annexed to this communication.

US-05/0084





LOWER ROAD, BARNACLE, COVENTRY CV7 9LD ENGLAND



TEL: +44 (0)24 7684 1750

FAX: +44 (0)24 7662 1796

email: [woodway@btconnect.com](mailto:woodway@btconnect.com)

Website: [www.woodwayengineering.co.uk](http://www.woodwayengineering.co.uk)

Approval number and extension: E11 65R-000131 Base Approval

Reason for Extension: Initial Approval

Lamp Type Number or Part Number: Centurion Lightbar Series, C002\$0BB-ECE

Basic Description of Lamp, including ECE Category: Special Warning Lamp, Blue, one level of intensity, Rated voltage 12 V.

ECE Regulation 65 Category 'T' type B class 1 and type A class 1 special warning lights.

Date: 17 August 2006



Manufacturer's Name and Address:

Woodway Engineering Ltd  
Lower Road  
Barnacle  
Coventry  
CV7 9LD  
United Kingdom

Representative's Name and Address (if applicable):

n/a

Lamp Specifications

Lens Optics / Reflector Optics: Strobe discharge tube mounted centrally within clear polycarbonate fresnel dome. Plain outer blue polycarbonate cover.

Rated voltage: 12 V

Number of bulbs and ECE Reg 37 bulb category or for non-replaceable light sources number and total wattage: 2 strobe discharge lamps, one either end of lightbar. Type FT20A. (See attached drawing 41567).

Lens material: Polycarbonate

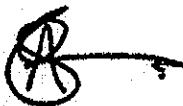
Housing material: Extruded aluminium chassis, natural finish with coloured polycarbonate dome top.

Sealing/bonding method and material: n/a

Vehicle application list (if applicable): n/a

Drawings or Photos: See attached drawings.

(Must have sufficient detail to identify lamp. Must include details of E Mark and other markings such as bulb categories on housing).



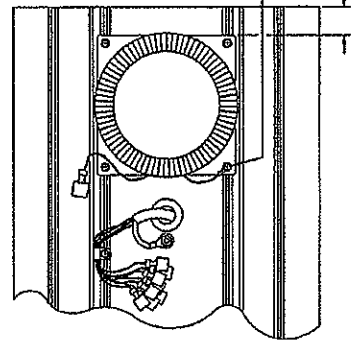
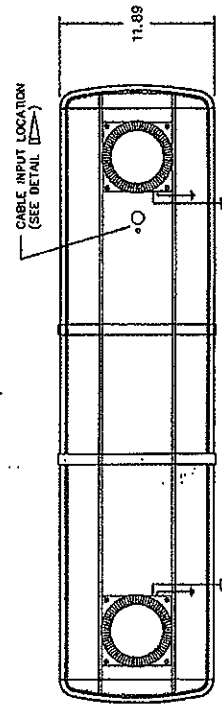
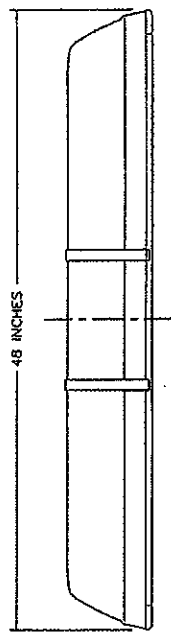
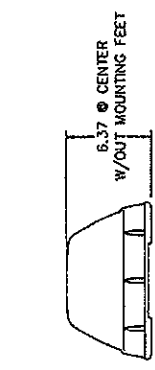
Manufacturer Signature

14<sup>th</sup> June 2006

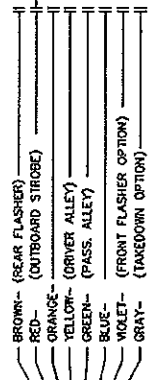
Date



REV	DATE



ALL GROUNDS TO BE  
HOME RUNS OPPOSITE  
SIDE OF POSITIVE RUNS.  
(WITH HARDWARE SHOWN)



WIRING DIAGRAM

CABLE DRESSING DETAIL

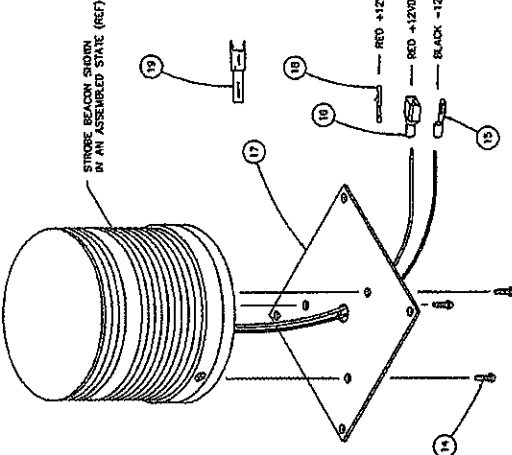
NOTE: ASSEMBLY IS SHOWN FOR 48" BAR. LIGHTBAR IS AVAILABLE  
IN OTHER LENGTHS BETWEEN 22" AND 86".

QTY	1	QTY	1
ITEM	48" BAR ASSEMBLY	ITEM	48" BAR ASSEMBLY
* 01-DEBRASS-CO ASSEMBLY KIT CENTURION, ECE SPECIFICATION EXTENSION FOR WHEEL END LIGHTBAR ASSEMBLY, ECE SPECIFICATION BAR CENTURION			
DATE	8/13/05	DATE	8/13/05
BY	WJG	BY	WJG
CHKD	WJG	CHKD	WJG
APP'D	WJG	APP'D	WJG
REV	1	REV	2
REV	2	REV	2

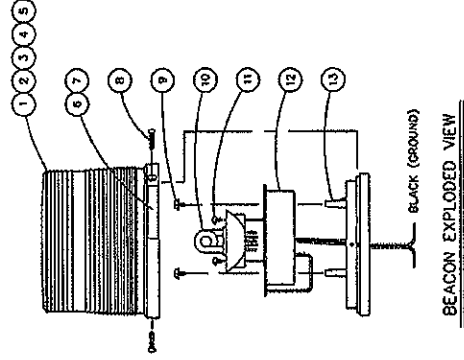


REV	ECN	DESCRIPTION	DATE
A	31637	CHANGE LABEL PN	9/16/05

NOTE: FOR SPECIFICATIONS SEE DRAWING NO. 83147.



ISOMETRIC ASSEMBLY



BEACON EXPLODED VIEW

QTY.	ITEM	PART NUMBER	DESCRIPTION
1	19	39-0401313-04	HOUSING, 1 POS PIN
1	18	39-0501316-04	PIN, 20-14 AWG
1	17	07-742680-000	ADAPTER PLATE
1	16	25-1240423-05	FASTON, MALE, AMP 22-18GA. INSL.
1	15	25-2544520-05	#8 RING TERM, NON. INSL.
3	14	15-101416-120	#10 X 3/4" PPHSMS
1	13	08-182599-001	BASE, STROBE, PLASTIC (MAG. MT.)
1	12	02-0168306-00	PCB ASSY, MODEL 2022 SERIES
2	11	15-041416-080	#4 X 1/2" PHILLIPS PAN HD SMS SS
1	10	36-0341367-00	FLASH TUBE ASSY (FTU 20W)
3	9	15-066939-056	#6 X 5/16" HEX WASHER HD. THD. FORMING SCREW
2	8	15-065410-100	#8 X 5/8" PAN HD. THD. FORM SCREW
1	7	10-0523199-**	LABEL, PN/MN/SN 2022 SERIES
1	6	10-0321946-00	LABEL, "WARNING"
A/R	A/R	5 68-2180452-50	DOME, (RED)
A/R	A/R	4 68-2180452-40	DOME, (GREEN)
A/R	A/R	3 68-2180452-30	DOME, (CLEAR)
A/R	A/R	2 68-2180452-20	DOME, (BLUE)
A/R	A/R	1 68-2180452-10	DOME, (AMBER)
-	-	02-0383351-( )1	ASS'Y, STROBE BEACON, AMP
-	-	02-0383351-( )0	ASS'Y, STROBE BEACON

THIS DRAWING IS PROPRIETARY TO THE WHELEN ENG. CO., INC., ANY REPRODUCTION, DISCLOSURE OR USE OF THIS DRAWING WITHOUT WRITTEN AUTHORIZATION FROM WHELEN ENG. CO., INC. IS PROHIBITED MATERIAL

FINISH

DR. *[Signature]* DATE 3/16/99 RELEASE DATE 3/17/99  
 CR. G.P.S.  
 ENG. *[Signature]*  
 TOLERANCE: UNLESS OTHERWISE SPECIFIED  
 ANGLES ±1/2" .XX = ±.020  
 .XXX = ±.010

© 1999 WHELEN ENG. CO. INC. (PAGE CODE 10402) REF. GENI

SCALE NONE DATE 3/16/99 REV ISSUE A 1 1 1  
 DWG NO. 83351

**WHELEN®** ROUTE 145  
 CHESTER, CT 06412-0884  
 ENGINEERING COMPANY INC. TELEPHONE (860)526-9504

**ASS'Y, STROBE BEACON  
 EXTRUSION MOUNT  
 "CENTURION" LIGHTBAR**

PART NO. KEY: 02-0383351-0

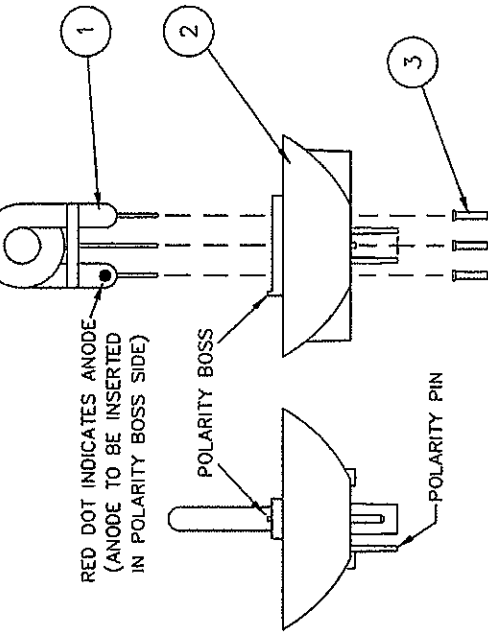
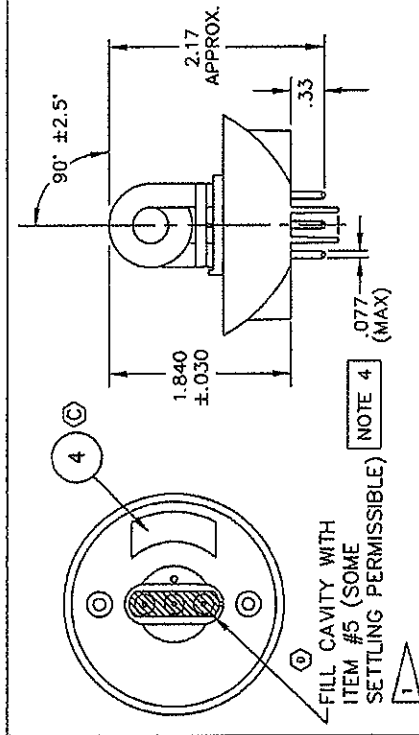
TERMINATION  
 0 = FASTON  
 1 = AMP

COLOR:  
 A = AMBER  
 B = BLUE  
 C = CLEAR  
 G = GREEN  
 R = RED  
 V = VIOLET

REV	ECN	DESCRIPTION	DATE
A	8364	CHANGED TITLE AND P/N OF ITEM 3. ADDED ASSY PROCEDURE.	11-6-92
B	8666	CHANGED PART NUMBER	1-27-93
C	16747	ADDED ITEM #4	5/1/97
D	21256	ADD RTV TO ASSY.	1-13-99

**SUGGESTED ASSEMBLY PROCEDURE**

1. INSERT FLASHTUBE FULLY INTO LAMPHOLDER, OBSERVING POLARITY AND FLASHTUBE SKEWING.
2. SLIDE SOCKETS OVER FLASHTUBE WIRES, SECURING FLASHTUBE TIGHTLY INTO LAMPHOLDER.
3. TRIM EXCESS FLASHTUBE WIRES FLUSH WITH END OF SOCKETS.
4. SOLDER THE ENDS OF SOCKETS TO DRAW SOLDER DOWN AROUND FLASHTUBE PINS FILLING THE INSIDE OF EACH SOCKET. OUTSIDE OF SOCKET MUST BE SMOOTH AND MEET PIN O.D. SPEC.
5. INSPECT FLASHTUBE FOR PROPER FOCAL POINT AND SKEWING ANGLE.
6. FILL CAVITY WITH RTV (SOME SETTLING PERMISSIBLE)
7. TEST FLASHTUBE FOR PROPER OPERATIONAL SPECS. (SEE DRAWING NO. 40705)



A/R	5	66-0716303-00	RTV
1	4	10-0522321-02	LABEL, FLASHTUBE M/N DATE CODE FT-20A
3	3	40-0045681-00	SOCKET
1	2	33-12461559-4	LAMPHOLDER (BLACK) NON METALLIZED
1	1	36-0140406-00	FLASH TUBE
-	-	36-0341567-00	FLASHTUBE ASSY, FT-20A
QTY.	ITEM	PART NUMBER	DESCRIPTION

© 1992 COPYRIGHT, WHELEN ENGINEERING COMPANY

PIONEERS IN SAFETY SIGNALS  
**WHELEN**® ROUTE 145  
 CHESTER, CT 06412-0684  
 ENGINEERING COMPANY TELEPHONE (203) 578-5504

FLASHTUBE ASSEMBLY  
 FT-20A

OR TURNER SCALE FULL SHEET 1 OF 1  
 DR. GPS DATE 11-6-92  
 ENG. JLS DRAWING NO. 41567  
 APP. JLS/OPA

THIS DRAWING CONTAINS INFORMATION PROPRIETARY TO THE WHELEN ENGINEERING COMPANY. ANY REPRODUCTION, UNLESS AUTHORIZED BY WHELEN ENGINEERING COMPANY, IS STRICTLY PROHIBITED. WHELEN ENGINEERING COMPANY SHALL BE RESPONSIBLE FOR ANY ERRORS IN THIS DRAWING UNLESS OTHERWISE SPECIFIED.

ANGLES ±1/2

CODE BENT.

MATERIAL

FINISH

The passing of this drawing to a third party without the express permission of Woodway Engineering Ltd is an infringement of copyright © 2006

THIRD ANGLE PROJECTION

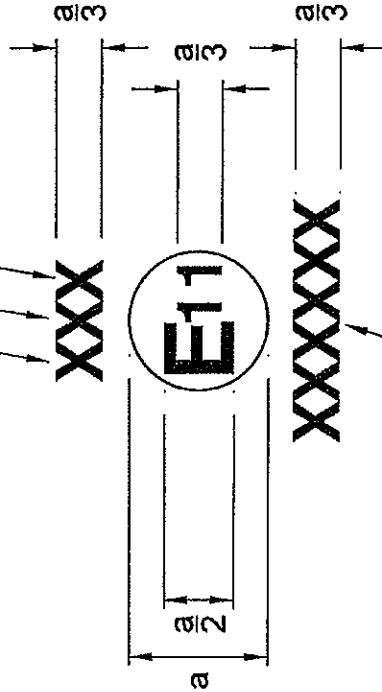
Lamp Type  
 T = Rotating or Stationary  
 X = Directional

Colour  
 A = Amber  
 B = Blue

Class Number  
 1 = Single Intensity Level  
 2 = Two Intensity Levels

TB1  
  
 002439


Typical Marking Shown Minimum Size  
 Approval granted for a rotating blue lamp with single intensity.  
 Approval number 002439



Approval Number

Text Size - a ≥ 8mm

MATERIAL: 3M SCOTCHMARK 7815 WHITE POLYESTER OR EQUIVALENT  
 ADHESIVE: PERMANENT 'HI-PRECISION' ACRYLIC  
 MARKING: INDELIBLE BLACK, THERMAL RESIN RIBBON

DRN	ISS.	MOD. No.	DATE	ISS.	MOD. No.	DATE	MATERIAL: -	ORIGINAL	FILE DIR:
CHKD	A	-----	6/6/06				SEE ABOVE	SCALE	S:\ENGINEERING\ACAD DRAWINGS WOODWAY
APPD							SEE ABOVE	1:1	A4
DATE	ALL DIMENSIONS ARE IN mm U.O.S. [ ]=IMP. U.O.S.			ECE65		TYPE APPROVAL MARK		PART NUMBER	
6/6/06				DO NOT SCALE		IF IN DOUBT ASK		DRG. No. ECE65 MARK	
									
<small>WOODWAY ENGINEERING LTD        LOWER ROAD, BARNACLE, COVENTRY CV7 9LD, ENGLAND        TEL: 024 7654 1725 FAX: 024 7652 1738</small>									